

Package Dimensions:

**Package Dimensions
QFN 56**

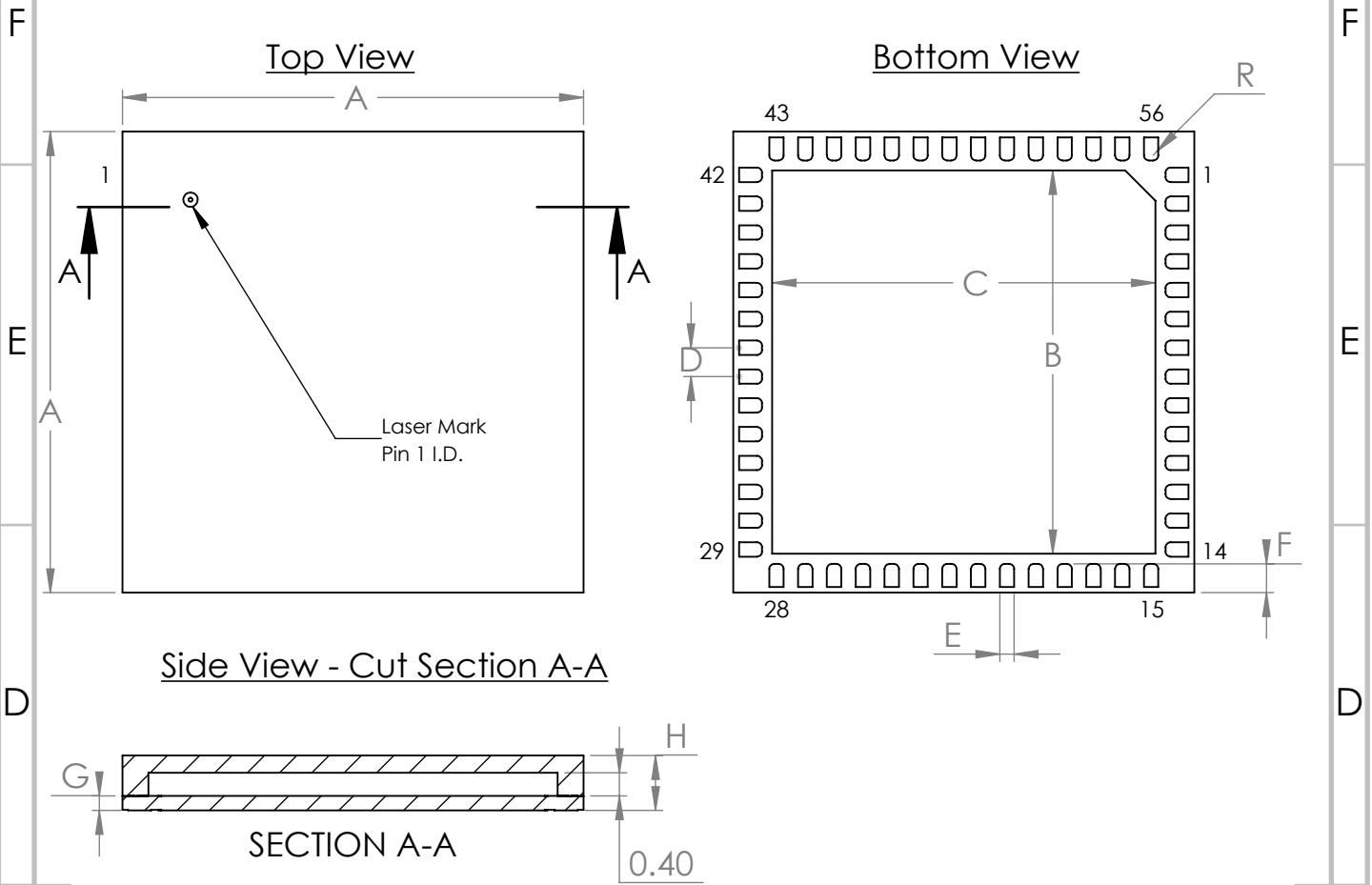


Table of Dimensions

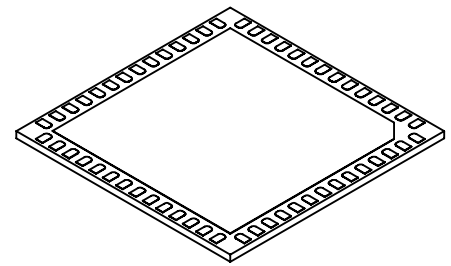
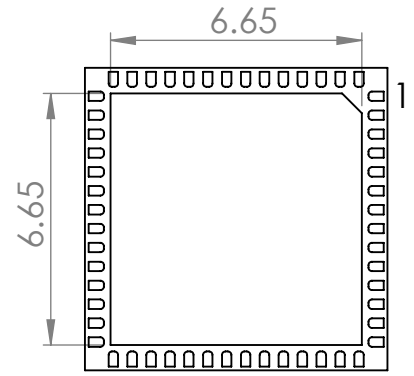
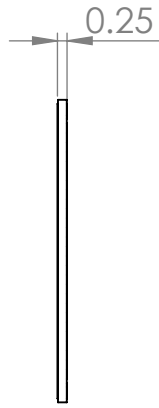
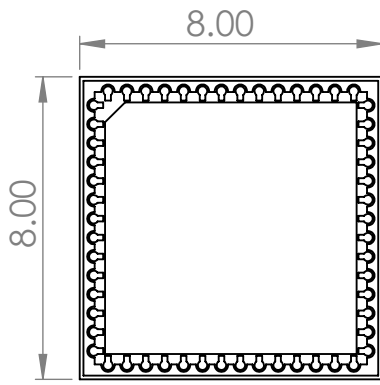
56 Pin QFN Package (8mmx8mm)

No. of Leads	SYMBOL								
	A	B	C	D	E	F	G	H	R
56 (8x8 mm)									
MIN (mm)	8	6.5	6.5	0.5	0.15	0.45	0.254	0.85	0.09
NOM (mm)		6.65	6.65		0.25	0.5		0.95	
MAX (mm)					0.30	0.55		1.05	

Notes:

1. Conforms to JEDEC standard JESD-30 MO-220
2. All dimensions are in millimeters

Substrate 8x8 56 :



Lid 8x8 :

