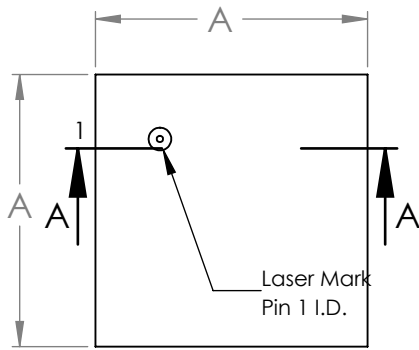


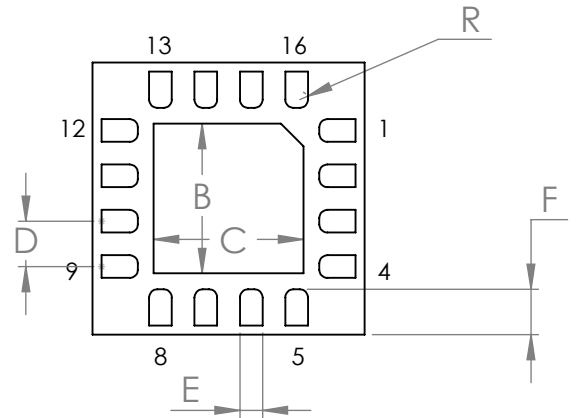
Package Dimensions:

**Package Dimensions
QFN 16**

Top View



Bottom View



Side View - Cut Section A-A

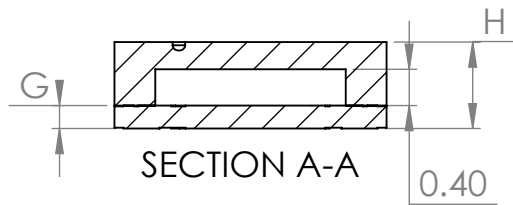


Table of Dimensions

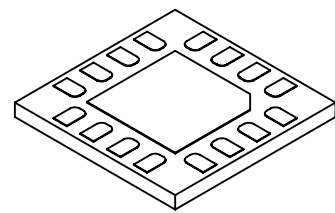
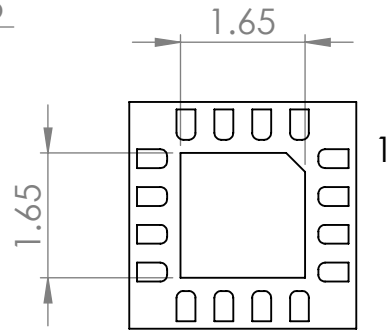
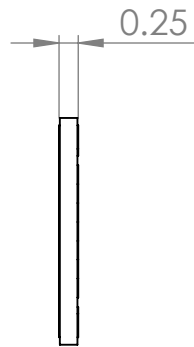
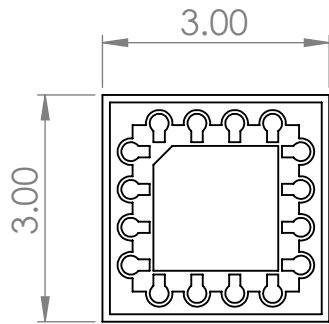
16 Pin QFN Package (3mmx3mm)

No. of Leads	SYMBOL								
	A	B	C	D	E	F	G	H	R
16 (3x3 mm)									
MIN (mm)		1.5	1.5		0.15	0.45		0.85	
NOM (mm)	3			0.5	0.25	0.5	0.254	0.95	0.09
MAX (mm)		1.65	1.65		0.30	0.55		1.05	

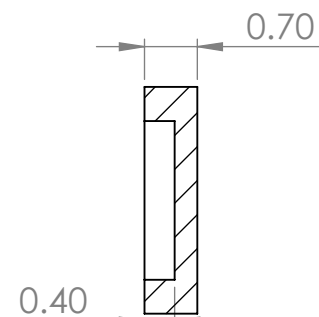
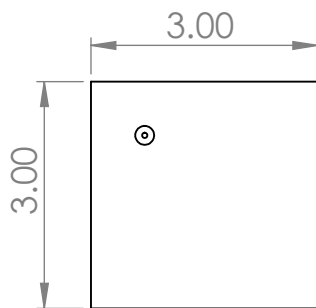
Notes:

1. Conforms to JEDEC standard JESD-30 MO-220
2. All dimensions are in millimeters

Substrate 3x3 16 :



Lid 3x3 :



SECTION C-C

