

**Package Dimensions:**

**Package Dimensions  
QFN 88**

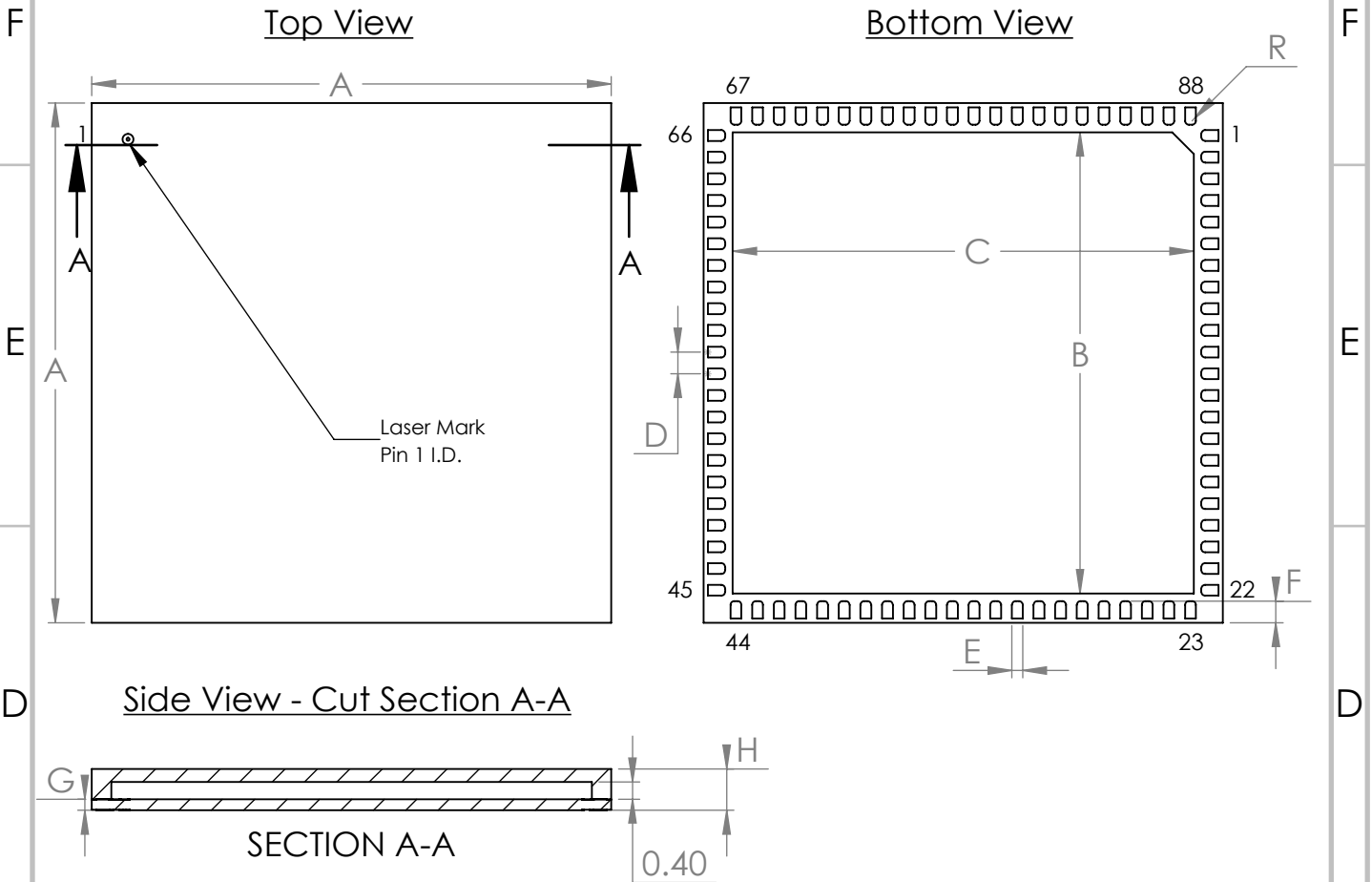


Table of Dimensions

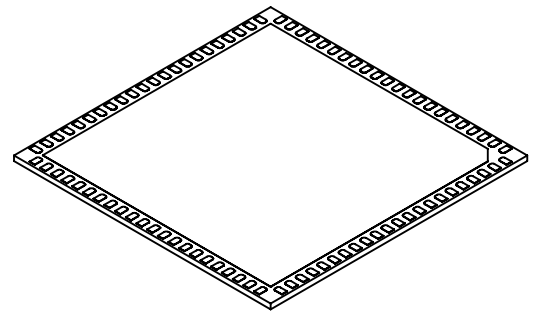
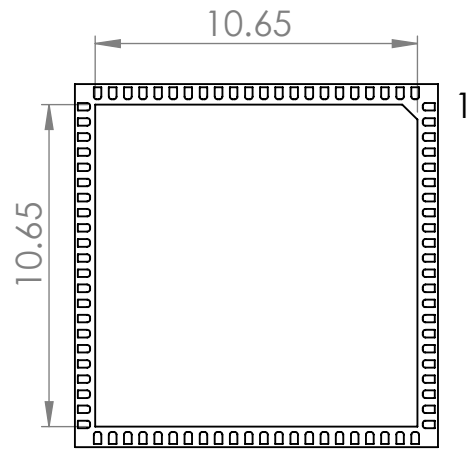
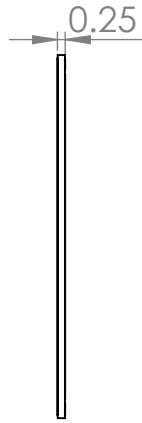
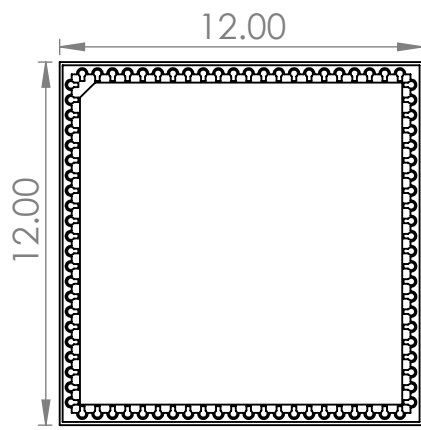
**88 Pin QFN Package (12mmx12mm)**

No. of Leads	SYMBOL								
	A	B	C	D	E	F	G	H	R
88 (12x12 mm)									
MIN (mm)	12	10.5	10.5	0.5	0.15	0.45	0.254	0.85	0.09
NOM (mm)		10.65	10.65		0.25	0.5		0.95	
MAX (mm)					0.30	0.55		1.05	

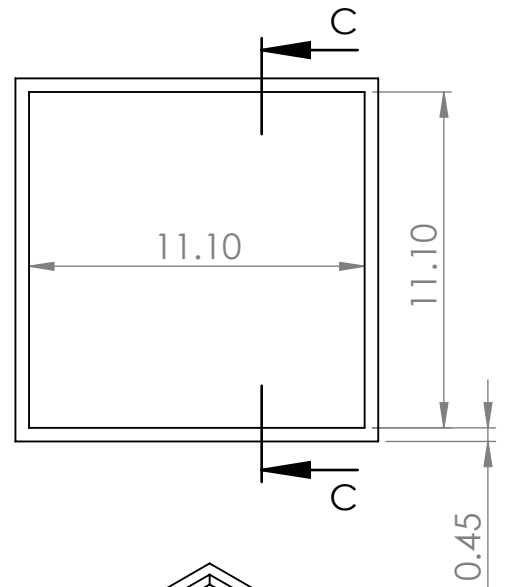
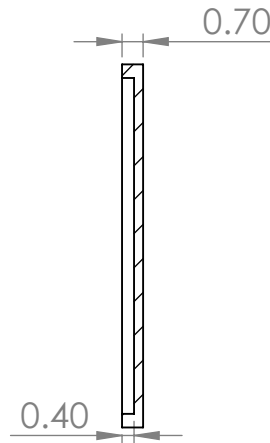
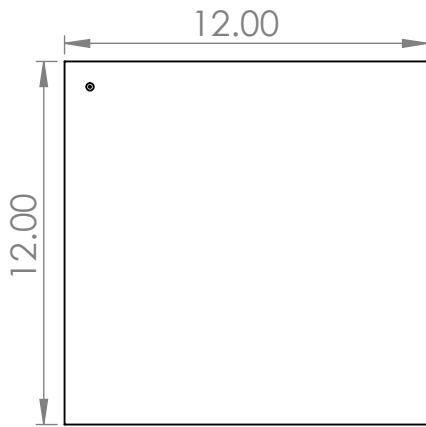
Notes:

1. Conforms to JEDEC standard JESD-30 MO-220
2. All dimensions are in millimeters

Substrate 12x12 88 :



Lid 12x12 :



SECTION C-C  
SCALE 4 : 1

